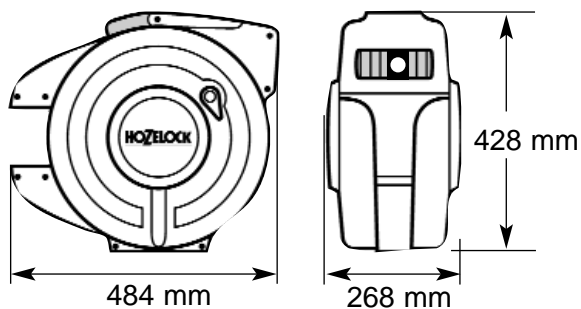


Hose reel for water (max. 50°C)

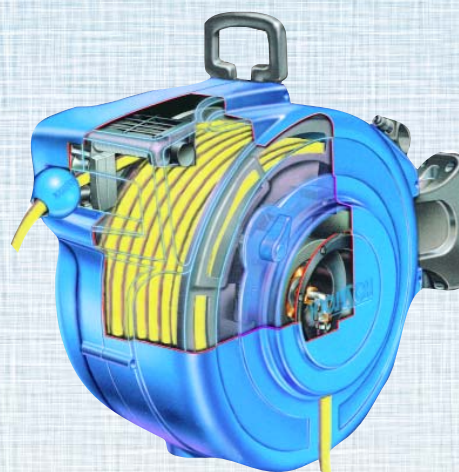


With quick connectors and metal gun

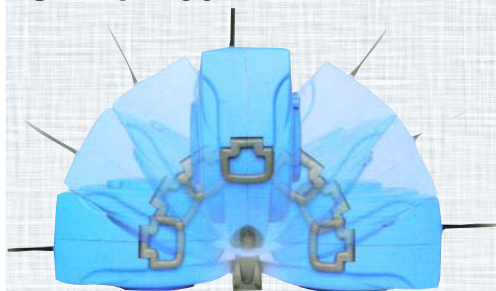
With security locked system



Shell and Wall bracket in polypropylene high resistance



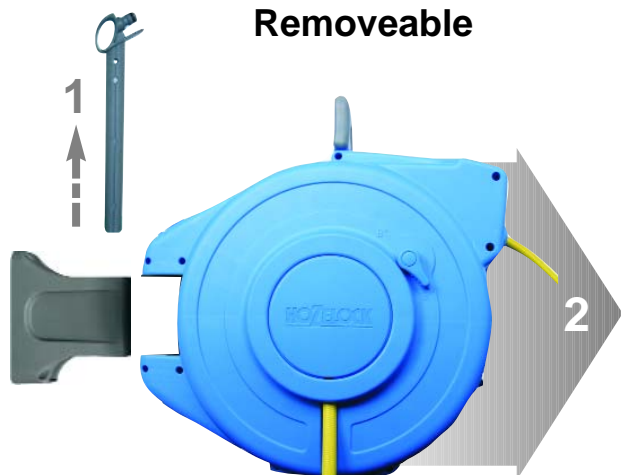
Swivel 180°



Automatic hose rewind



Removeable



18,5 m + 2m*



12 x 16,5 mm



8 bar



24 bar



8 kg

* Feeder hose with quick connectors

Hose replacement WaterReel Pro

with assembly instructions and collars

129916

18,5 m

Wall Bracket

with fixing screw for wall Standard for all reels

Z 71003

