



# PRODUCT CARD



## CABLE REMOTE CONTROL

E0.21.0504.02.00



**Page 1 - GENERAL INDEX**

Page 2 - General features

Page 3 - Stackable single lever - Assembling single lever dimensions

Page 4 - Joysticks

Page 5 - 6 - Panoramic and codes of the available knobs

Page 7 - How to order cable remote control

**E0.21.0504.02.00**

The data in this catalogue refers to the standard product.

The policy of Salami S.p.A. consists of a continuous improvement of its products. It reserves the right to change the specifications of the different products whenever necessary and without giving prior information.

If any doubts, please get in touch with our sales department.

## GENERAL FEATURES

### GENERAL

Nowadays to make mobile machine more and more comfortable is really a very important matter.

Consequently, all noise and heat sources have to be located far from the operator.

Salami has totally up-dated its own cable remote control range and has developed a product, you can trust also in heavy work conditions.

### FEATURES

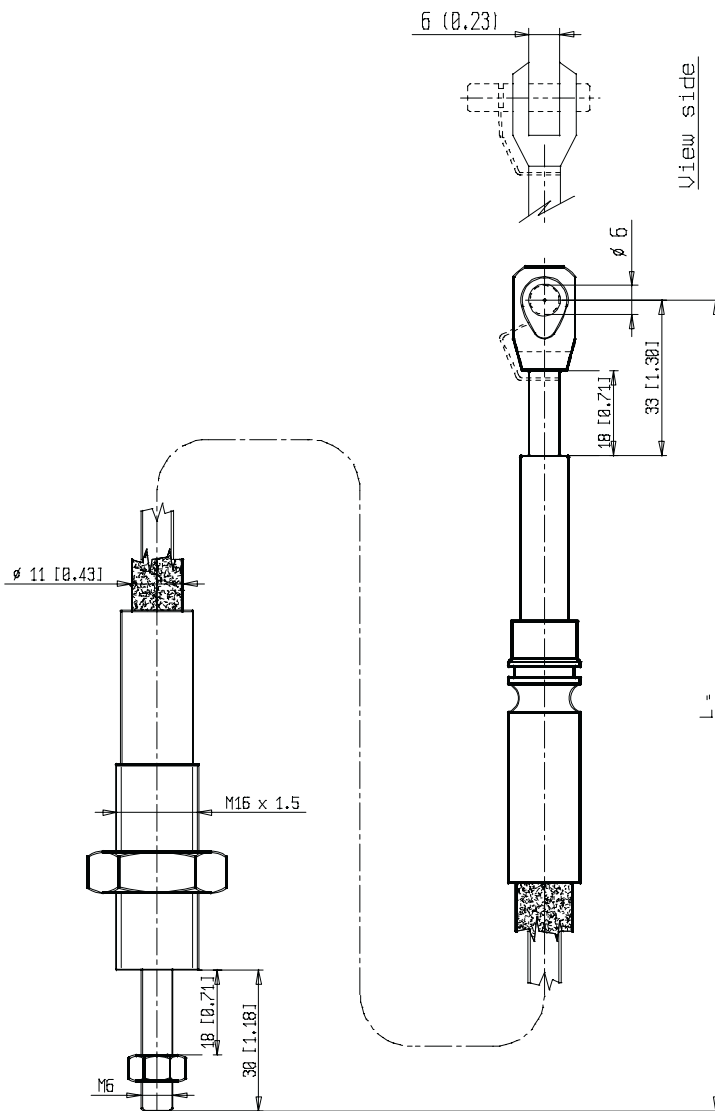
This control type consists of a "heavy duty" steel-cable with teflon sheath and core.

The operating runs throughout stackable single levers, which are also available with a inhibit position device,

or throughout a joy-stick with 4 movements (every joy-stick operates 2 sections of the valve connected with).

On its ergonomics handgrip could be located 1 to 3 electric switches.

- Easy cable connection (1 pin).
- Compact design.
- High efficiency cables.
- Stackable up to 12 sections (lever).
- Ergonomic handle knob pre-arranged for electric switch (joy-stick).



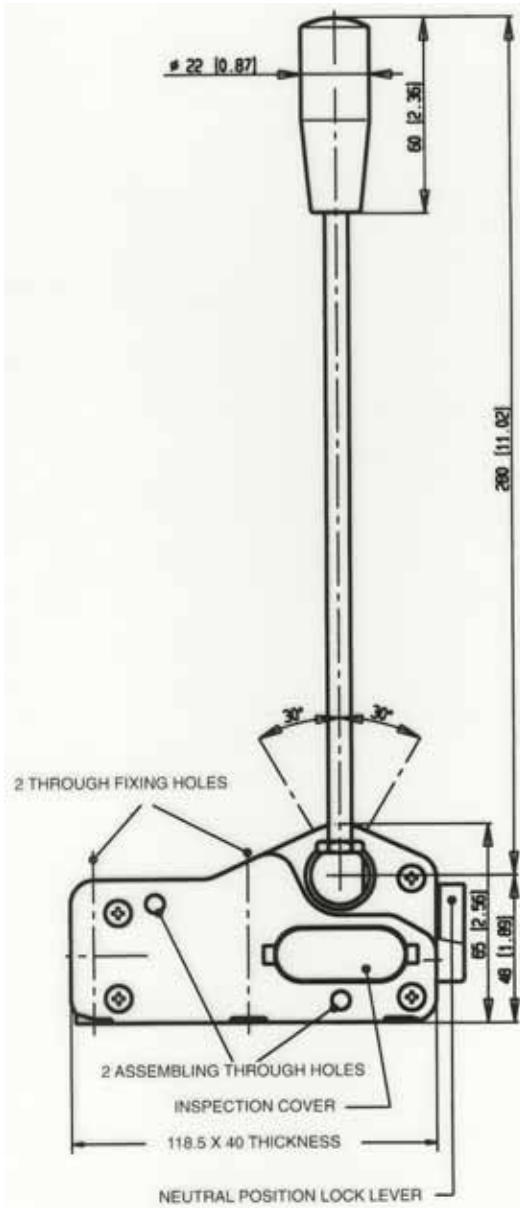
## HEAVY DUTY CABLE

### Specifications

Total stroke	34 mm
Minimum bend radius	200 mm
Max slip off load	2500 N
Jacket colour	BLACK
Environmental temperature	-40°/+80°

LENGHT	CODE
L = 1000 [39.4]	0100
L = 1500 [59.1]	0150
L = 2000 [78.7]	0200
L = 2500 [98.4]	0250
L = 3000 [118.1]	0300
L = 3500 [137.8]	0350
L = 4000 [157.5]	0400

**STACKABLE SINGLE LEVER**



**code 3077**

Stackable single lever with neutral position lock lever

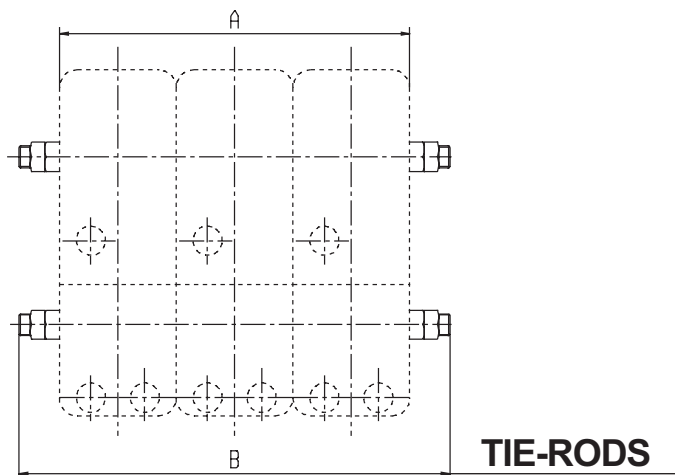
Also available:

**code 3047** Stackable single lever

**code 3076** Stackable single lever with 1 inhibit position device

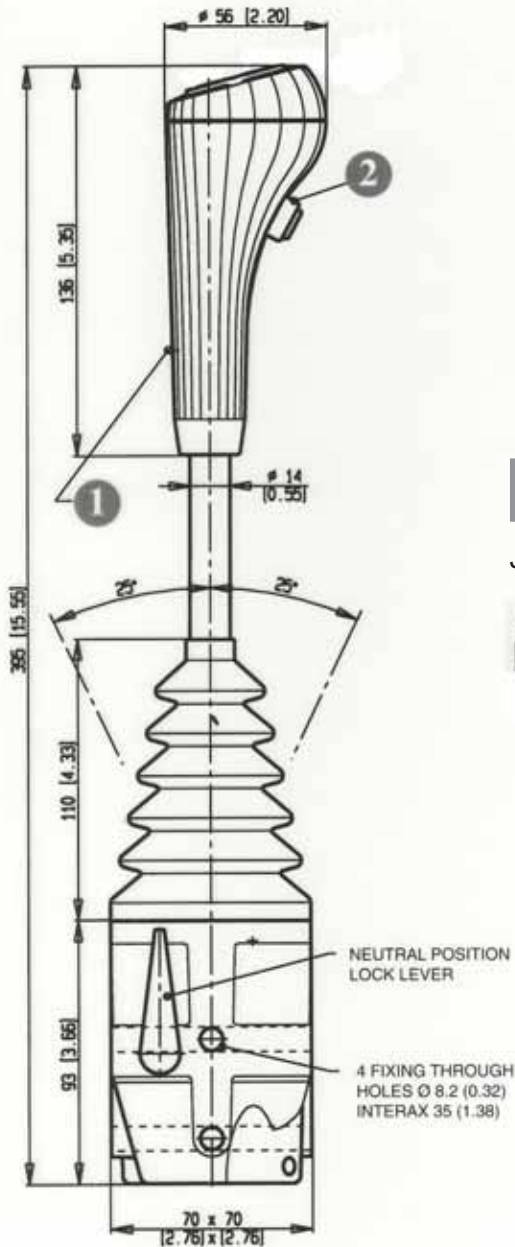
Specifications	
Stroke	± 13 mm [ ± 0.51 inch ]
Working Load	45 Kgf [ 99.1 lbf ]
Level Ratio	10:1
Detent in neutral position	Optional
Anti-Reverse Device	Optional
Color	Matt Black
Cables	Heavy Duty
Operating Temperature	-40°/+80°C

**ASSEMBLING SINGLE LEVER DIMENSIONS**



Dimensions		N. levers
A	B	
mm [inch]	mm [inch]	
40 [1.57]	68 [2.68]	1
80 [3.14]	108 [4.25]	2
120 [4.71]	148 [5.83]	3
160 [6.28]	188 [7.4]	4
200 [7.85]	228 [8.98]	5
240 [9.42]	268 [10.55]	6

## JOYSTICKS

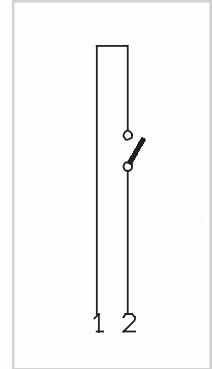


### code 3091

Joystick with 1 side ON-OFF switch handle

Also available:

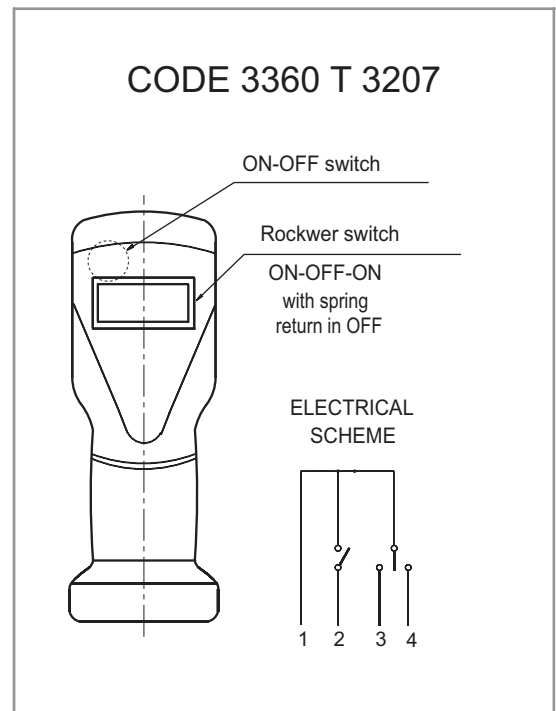
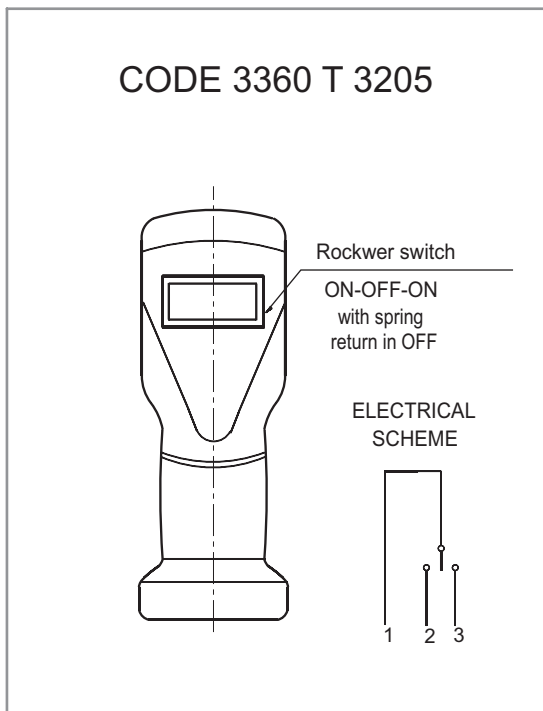
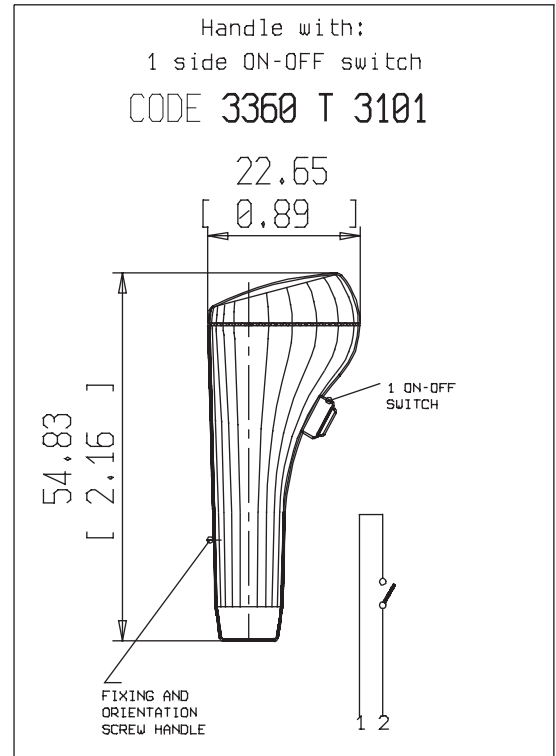
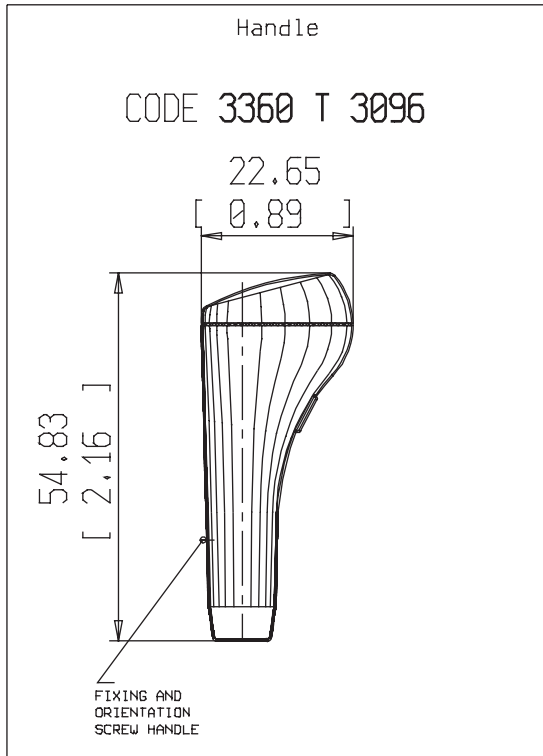
**code 3046** Joy-Stick with handle



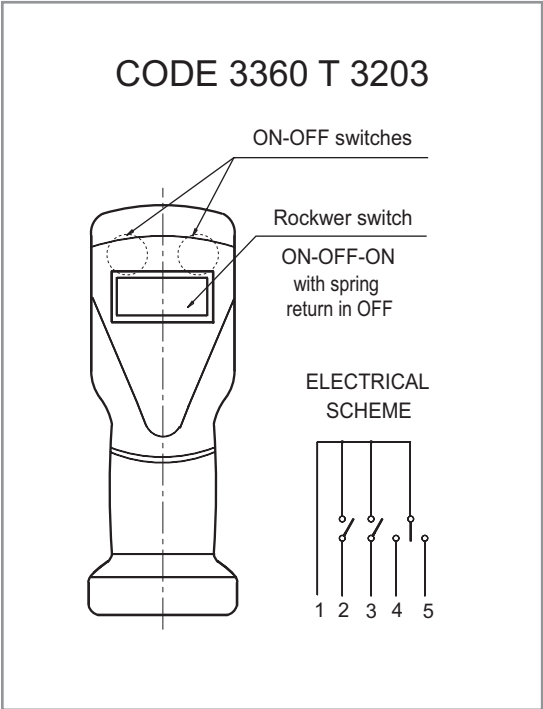
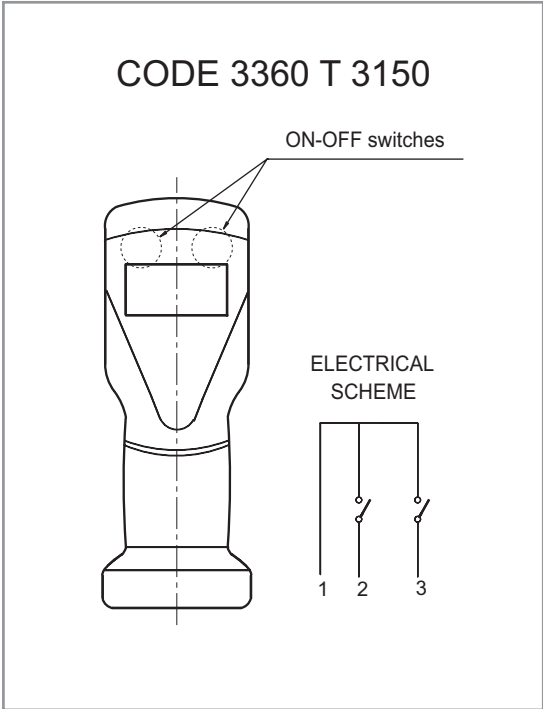
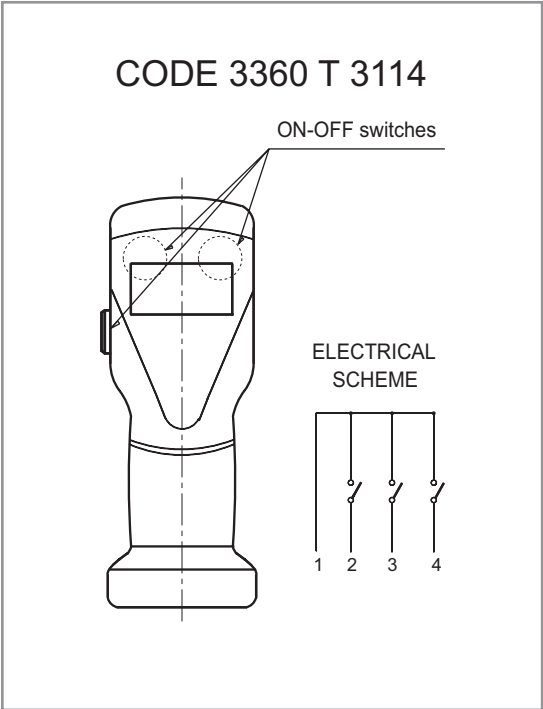
### Specifications

Stroke	± 16 mm [ ± 0.63 inch ]
Working Load	45 Kgf [ 99.1 lfb ]
Level Ratio	8:1
Detent in neutral position	Standard
Color	Matt Black
Cables	Heavy Duty
Operating Temperature	-40°/+80°C

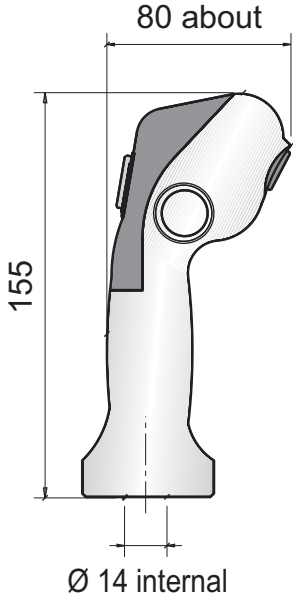
PANORAMIC AND CODES OF THE AVAILABLE KNOBS

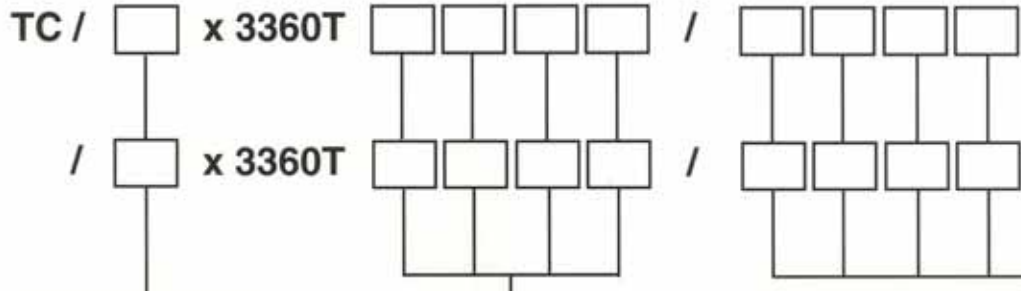


## PANORAMIC AND CODES OF THE AVAILABLE KNOBS



CODES:3360 T 3205 - 3360 T 3207 - 3360 T 3114  
3360 T 3150 - 3360 T 3203 HAVE THIS ERGONOMIC KNOB





Quantity of identical consecutive sections

CODE	JOY-STICK
3046	with handle
3091	with 1 side ON - OFF switch handle

See page 4

CODE	LEVER
3047	Stackable single lever
3076	Stackable single lever with 1 inhibit position device
3077	Stackable single lever with neutral position lock lever

See page 3

CODE	CABLE
0100	1000 mm(39.4 in.)
0150	1500 mm(59.1 in.)
0200	2000 mm(78.7 in.)
0250	2500 mm(98.4 in.)
0300	3000 mm(118.1 in.)
0350	3500 mm(137.8 in.)
0400	4000 mm(157.5 in.)

See page 2

HANDLE
See pages 5 - 6



SALAMI spa  
via Emilia Ovest 1006  
41100 Modena Italy  
telefono 059 387411  
telefax 059 387500  
export@salami.it - www.salami.it



SALAMI ITALIA srl  
strada Pelosa 183  
S. Pietro in Trigogna VI Italy  
telefono 0444 240080  
telefax 0444 240204  
salami.italia@salami.it



SALAMI ESPAÑA  
Poligono Industrial Armenteres  
C/Primer de Maig, 18, Nave 4  
08980 San Feliu de Llobregat  
Barcelona  
telefono 93-6327288  
telefax 93-6667826  
info@salamispain.com



SALAMI FRANCE  
22, rue Louis Saillant  
69120 Vautx en Velin  
Lyon  
telefono 04 78 80 99 41  
telefax 04 78 80 36 69  
e.pasian@wanadoo.fr



149 S0. Chenango St. Ext.,  
GREEN, NY 13778  
Tel.: 001-607-6565702  
Fax.:001-607-6565704  
info@salamihydraulics.com